

Glass Tube Liquid Level Gauge Type 17/205 N, PN 25

Glass tube indicator with shut-off valves for installation on condensation tanks, reservoirs, fire sprinkler tanks, water supply tanks etc.

The level gauge may be equipped with automatic closing balls for automatic shut-off in case of glass breakage. The automatic closing balls are only for applications with min. 1 bar overpressure.

connection

connection flange DN20-25/PN25, form C (DIN)
 drain screw G 1/2"
 vent plug G 3/4"

materials

- valve housing made of mat. 1.0570
- spindle made of stainless steel mat. 1.4104
- seat and plug made of stainless steel mat. 1.4305
- gland packing made of graphite
- sealing rings for glass tube made of M-902 DP (Teflon)
- tube made of glass (DURAN) or plexi glass

additional equipment

- plexi protection cover for glass tube (fluid temperature max. 80 °C)
- brass protection cover
- automatic closing ball
- draining: drain valve 17/500 N
- for visibility: coloured float

measurement

glass tube \varnothing : 20,5 x 2,5 mm thickness

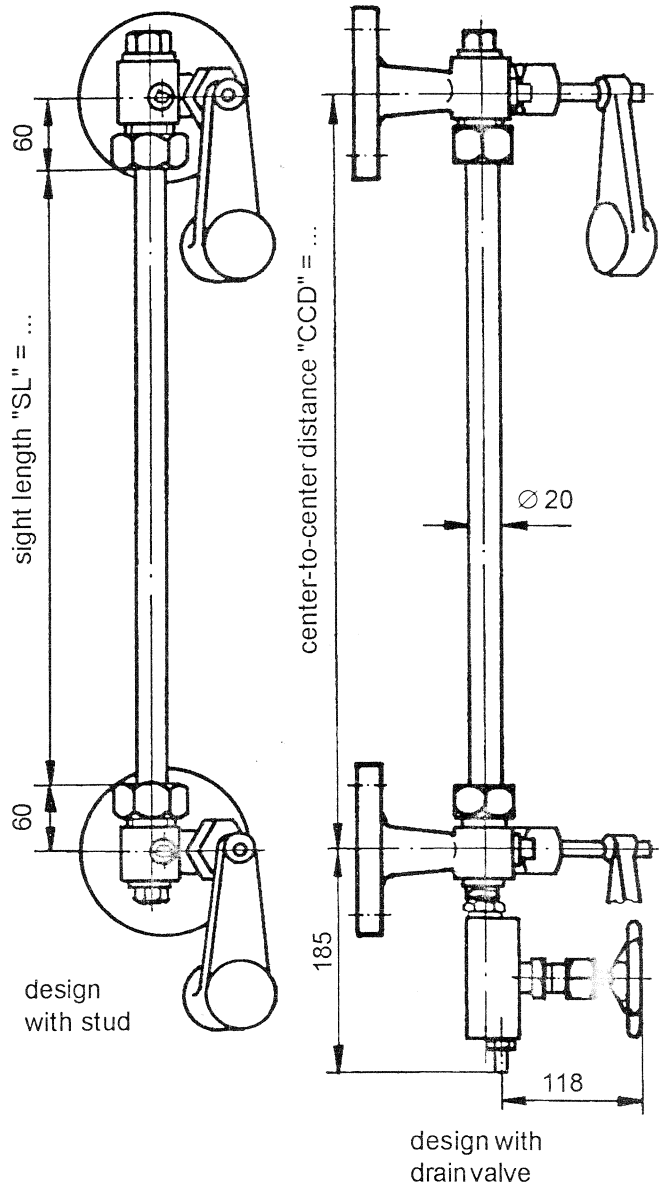
plexi glass tube \varnothing : 20,0 x 3,0 mm thickness

length:

- glass tube: = ME ./ 20 mm
- plexi glass tube: = ME ./ 20 mm
- plexi protection cover: = ME ./ 45 mm
- mounting set: = ME ./ 105 mm

note

the max. center-to-center-distance is 1200 mm



	max. oper. pressure	max. oper. temperature
glass tube	20 bar	200 °C
plexi-glass tube	4 bar	30 °C
	atm	40 °C

order data

"CCD", flange size, fluid, max. operation pressure, max. operation temperature